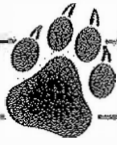


JEFF CRARY

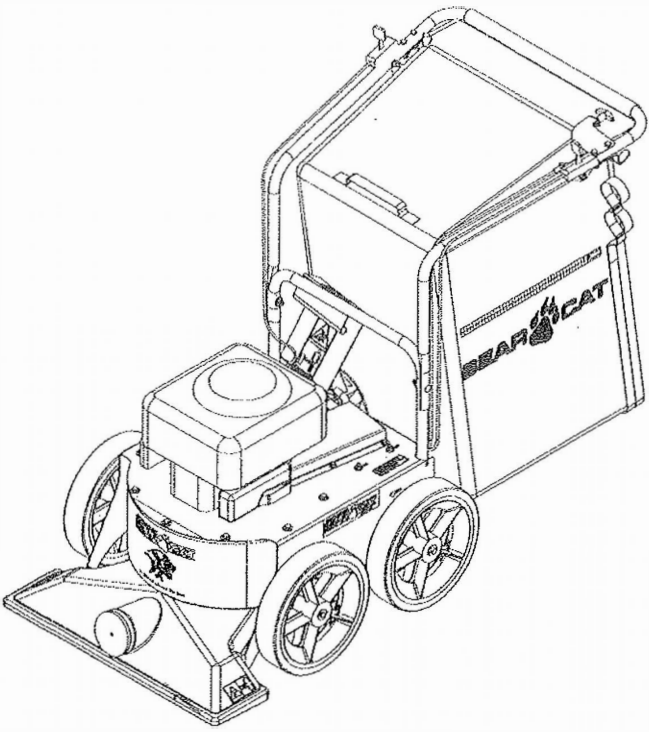
**BEAR**



**CAT**

# Parts Catalog

## For Bear Vac Models



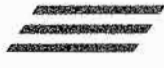
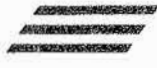
**75050 - Push Vac with Honda 5 hp OHV Engine**

**\*75060 - Push Vac with Briggs & Stratton 6 hp**

**InTec OHV Engine**

**75350 - 3 Speed Self Propelled with Honda 5 hp OHV engine**

**75360 - 3 Speed Self Propelled Vac with Briggs & Stratton 6 hp InTec OHV Engine**

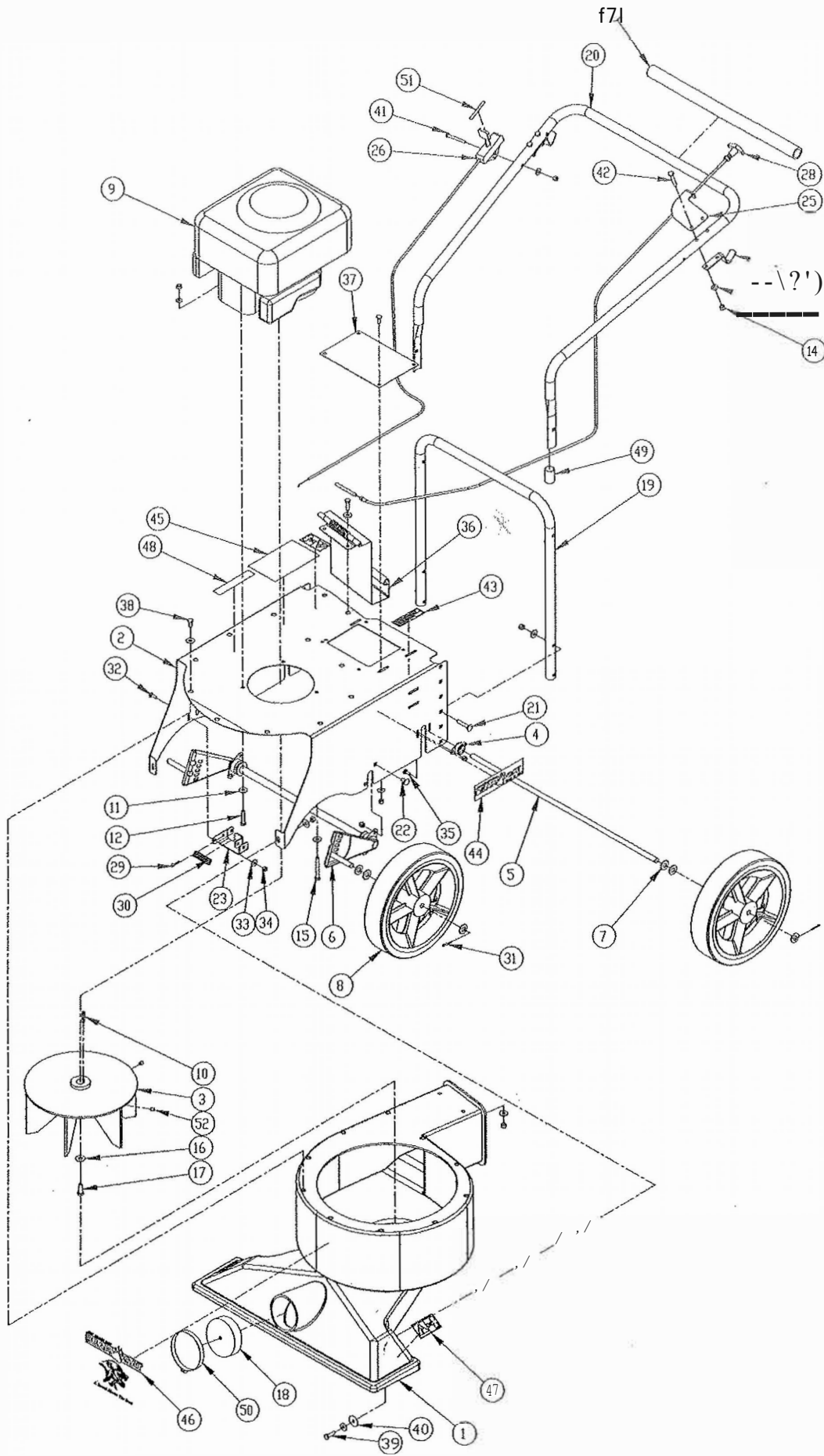


**Hako Australia Pty Ltd**

Tel: + 61 2 8756 4700  
Fax: + 61 2 8756 4799  
email: [hksales@hakoaustralia.com.au](mailto:hksales@hakoaustralia.com.au)  
[www.hakoaustralia.com.au](http://www.hakoaustralia.com.au)

Part #13888-00  
Rev. 0501  
Companion to 1113887-00

VAC ASSEMBLY (FOR MODEL 75060)

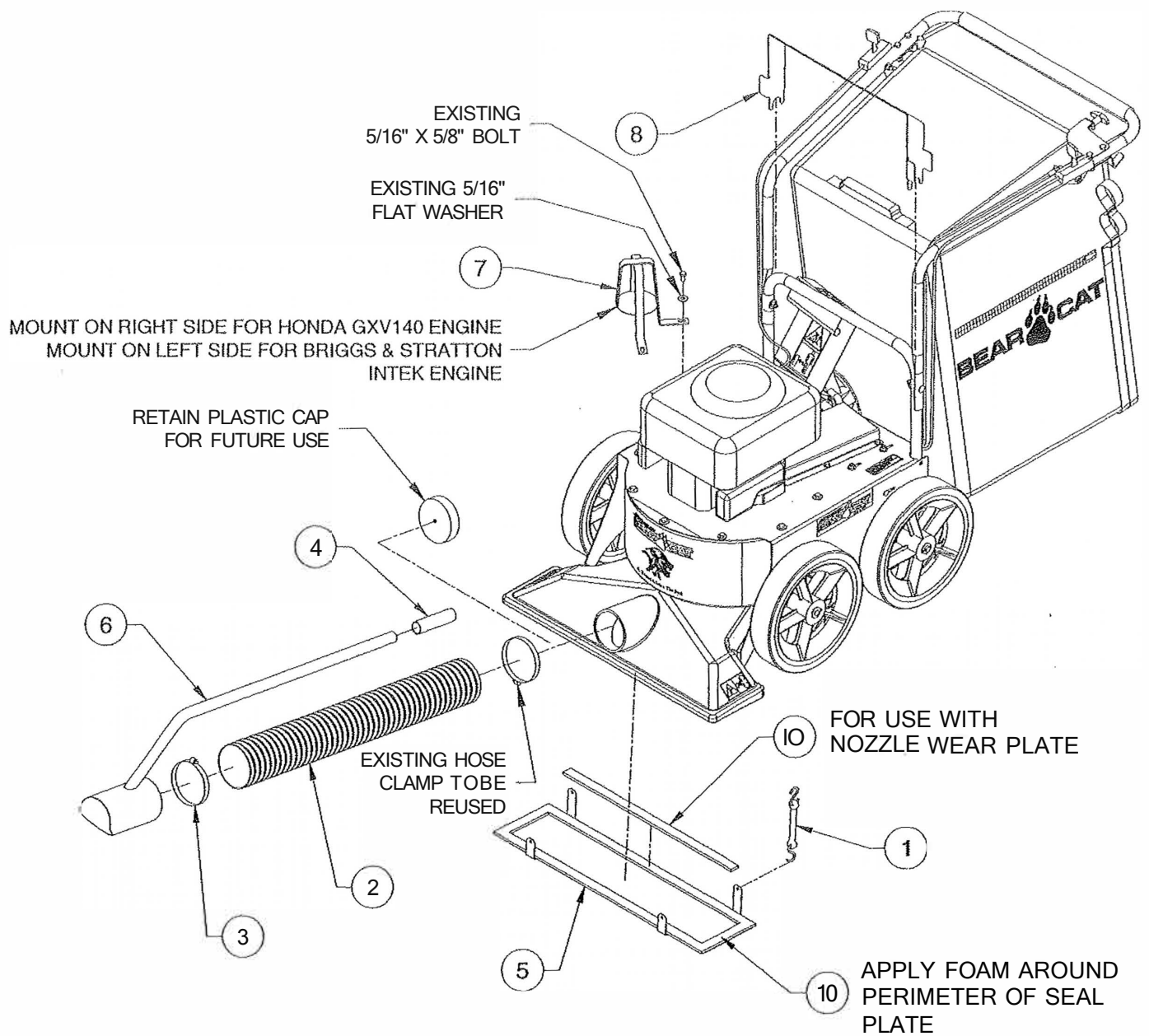


## BEAR VAC ASSEMBLY (FOR MODEL 75060)

## ASSEMBLY, FOR MODEL# 75060 BEARVAC

ITEM#	PART#	DESCRIPTION	QTY
1	73714-00	ASSEMBLY, FAN W/ INTAKE (INCLUDES i/13890-00 & 13896-00)	1
2	73715-00	ASSEMBLY, BEARVAC FRAME (INCLUDES MODEL ii DECAL, & 12172, 17913, & 16155)	1
3	73612-00	WELDMENT, BEARVAC ROTOR	1
4	12574	BEARING, 1/2 FLANGE	2
5	73633-12	SHAFT, LONGAXLE	1
6	73619-12	WELDMENT, AXLE PIVOT	1
7	15097	WASHER, 1/2 SAE FLAT	12
8	13869-00	WHEEL, 12 X 2.5 X 5 BORE	4
9	12415	ENGINE, 6 HP INTEK	1
10	7022	KEY, 3/16 X 1-1/4" SQ	1
11	15250	WASHER, 5/16 FLAT	25
12	15282	BOLT, 5/16 X 1-1/2 HEX	2
13	15416	WASHER, 5/16 SAE FLAT	7
14	15356	NUT, 5/16 NYLOCK	19
15	15154	BOLT, 5/16 X 2-1/2 HEX	1
16	15665-00	WASHER, 3/8 GR8 USS ZP	1
17	15697-00	BOLT, 3/8 X 1 NF GR8 ZP HHCS	1
18	13850-00	CAP, ROUNDVINYL (4X1)	1
19	73622-12	HANDLEBAR, LOWER BEARVAC	1
20	13870-12	HANDLEBAR, BEARVAC UPPER	1
21	15350	BOLT, 5/16 X 1-3/4 CRG	4
22	15359	BOLT, 5/16 X 5/8 CRG	4
23	73623-12	BRACKET, BEARVAC HEIGHT ADJ.	1
24	73614-35	BRACKET, BAGHANGER	2
25	73613-12	BRACKET, BEARVAC CABLE MOUNT	1
26	13874-00	CONTROL, THROTTLE	1
27	13857-00	PAD, FOAM HANDLEBAR	1
28	13877-00	CONTROL, HEIGHT ADJUSTMENT	1
29	13851-00	CLIP, HAIRPINZP (CLIP NO. 13)	1
Y1 30	17257	SPRING, COMPRESS. LC-072J-6	1
31	15375	PIN, 1/8 X 1 COTIER	4
32	15238	BOLT, 1/4 X 3/4" CRG	6
33	15030	WASHER, 1/4 FLAT	7
34	15355	NUT, 1/4 NYLOCK	11
35	15348	BOLT, 1/4 X 5/8" CRG	4
36	73645-00	ASSEMBLY, EXHAUST DOOR	1
37	73643-12	PLATE, BEARVAC PUSH COVER	1
38	15300	BOLT, 5/16 X 5/8 HEX HD	10
39	15219	BOLT, 5/16 X 1 HEX HD	4
40	15040	WASHER, 5/16 FENDER	2
41	15197	BOLT, 1/4 X 2-1/4 HEX HD	1
42	15403	SOLT, 5/16 X 1-3/4 HEX	4
43	16155	DECAL, SERIAL NUMBER	1
44	17913	DECAL, SMALL BEARCAT	2
45	12172	DECAL, PROTECTION	1
46	13896-00	DECAL, BEARCAT	1
47	13890-00	DECAL, DANGER	3
48	13892-00	DECAL, MODEL 75060	1
49	17007	CAP, PLASTIC 7/8 IN. (FOR SHIPPING PURPOSES ONLY)	2
50	16196 *	CLAMP, 4" HOSE	1
51	16238	DECAL, THROTTLE CONTROL	1
52	15376	SCREW, 5/16" X 3/8" SET	2

*No 1.5blio* (UC, w' fl, J  
/I'.tb 7 (fro C ihlv **kc,r**

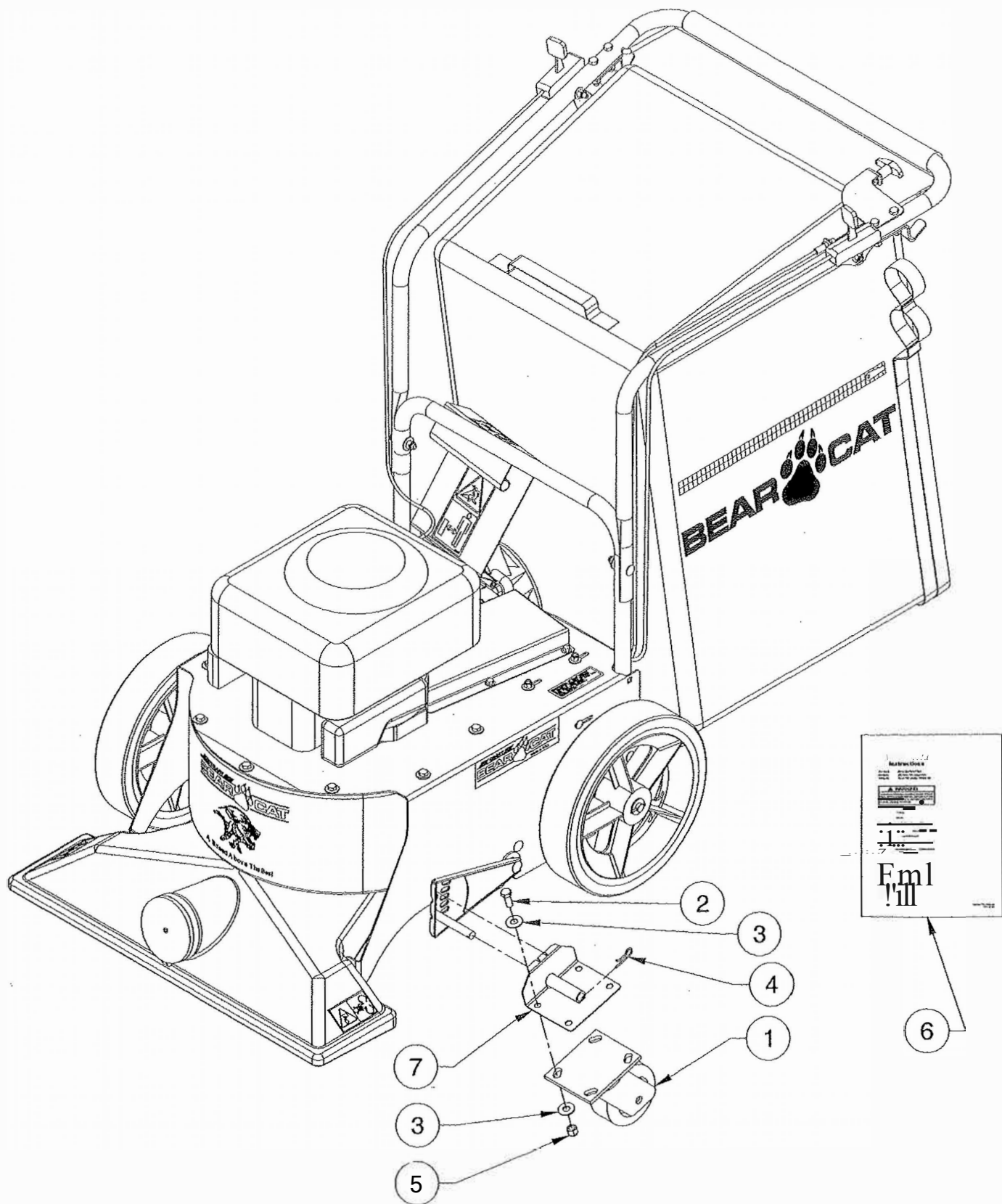


## VACUUM HOSE KIT

**P/N 73606-00 KIT, BEARVAC VACUUM HOSE**

ITEM J	PART J	DESCRIPTION	QTY
1	12627	STRAP, 6" TARP	2
2	16194	HOSE, PVC 4"ID X 10'LG	1
3	16196	CLAMP, 4" HOSE	1
4	16258	GRIP - 1" I.D. X 4.63"	1
5	73673-12	PLATE, BEAR VAC HOSE KIT SEAL	1
6	73680-00	WELDMENT, 4" HOSE NOZZLE	1
7	73683-12	WELDMENT, HOSE HOLDER	1
8	73687-12	BRACKET, HOSE HOLDER	1
9	73688-00	INSTR., BEAR VAC VACUUM HOSE KIT	1
10	73698-00	FOAM, PLATE SEAL	1

CASTER WHEEL KIT



## CASTOR WHEEL KIT

## P/N 73607-00 - BEARVAC CASTOR WHEEL KIT

ITEM#	PART#	DESCRIPTION	QTY
1	13872-00	WHEEL, 4 X 2 CASTER	2
2	15006	BOLT 3/8 X 1 GR5 HEX CAP SCREW ZP	8
3	15031	WASHER, 3/8" FLAT ZP	16
4	15368	HAIRPIN CLIP ZP # 203	2
5	15388	NUT, 3/8" NYL INSERT, NE, ZP	8
6	73644-00	INSTR., BEARVAC CASTER WHEEL KIT	1
7	73671-35	WELDMNT, CASTER WHEEL MOUNT	2



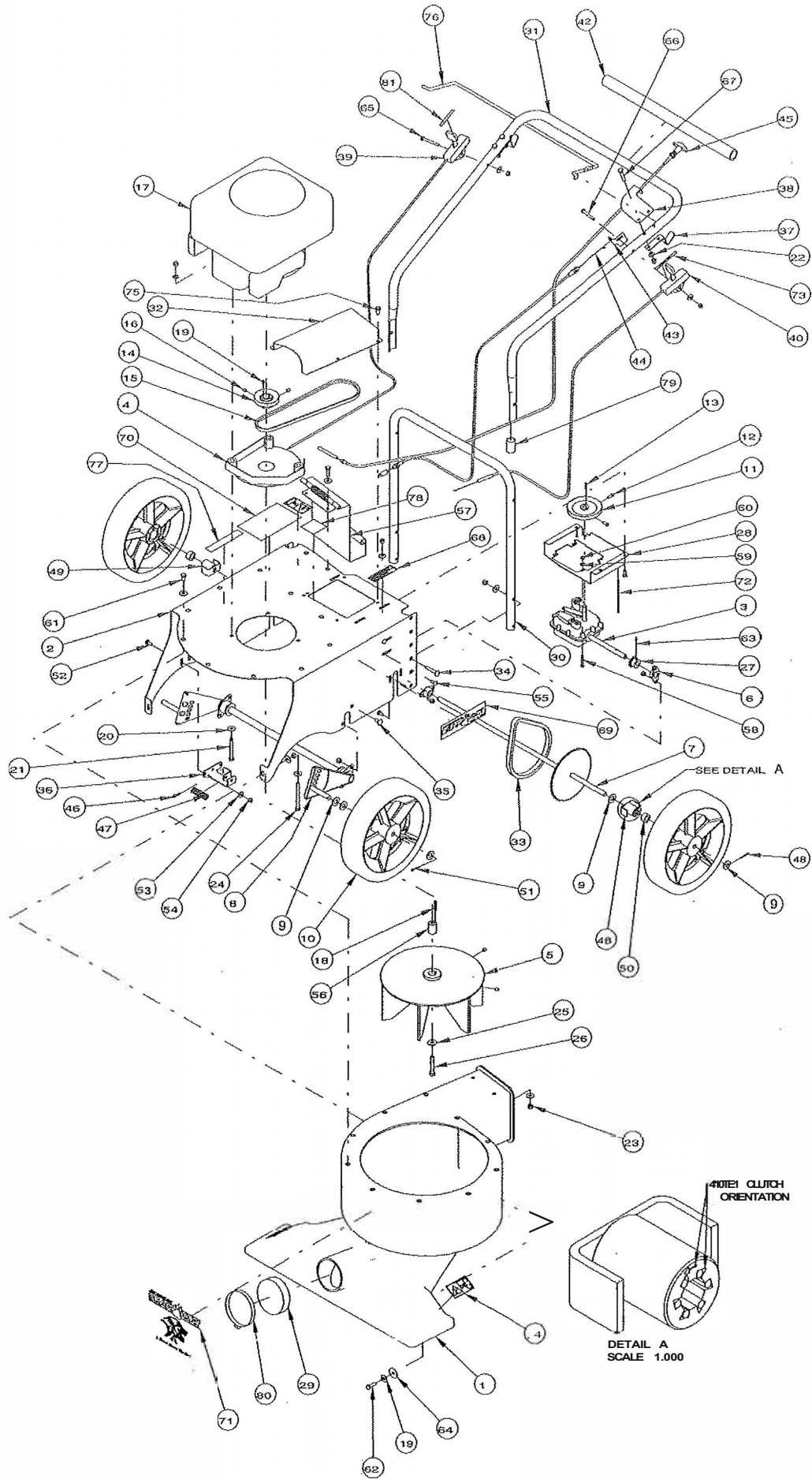
## BEAR VAC ASSEMBLY (FOR MODEL 75360)

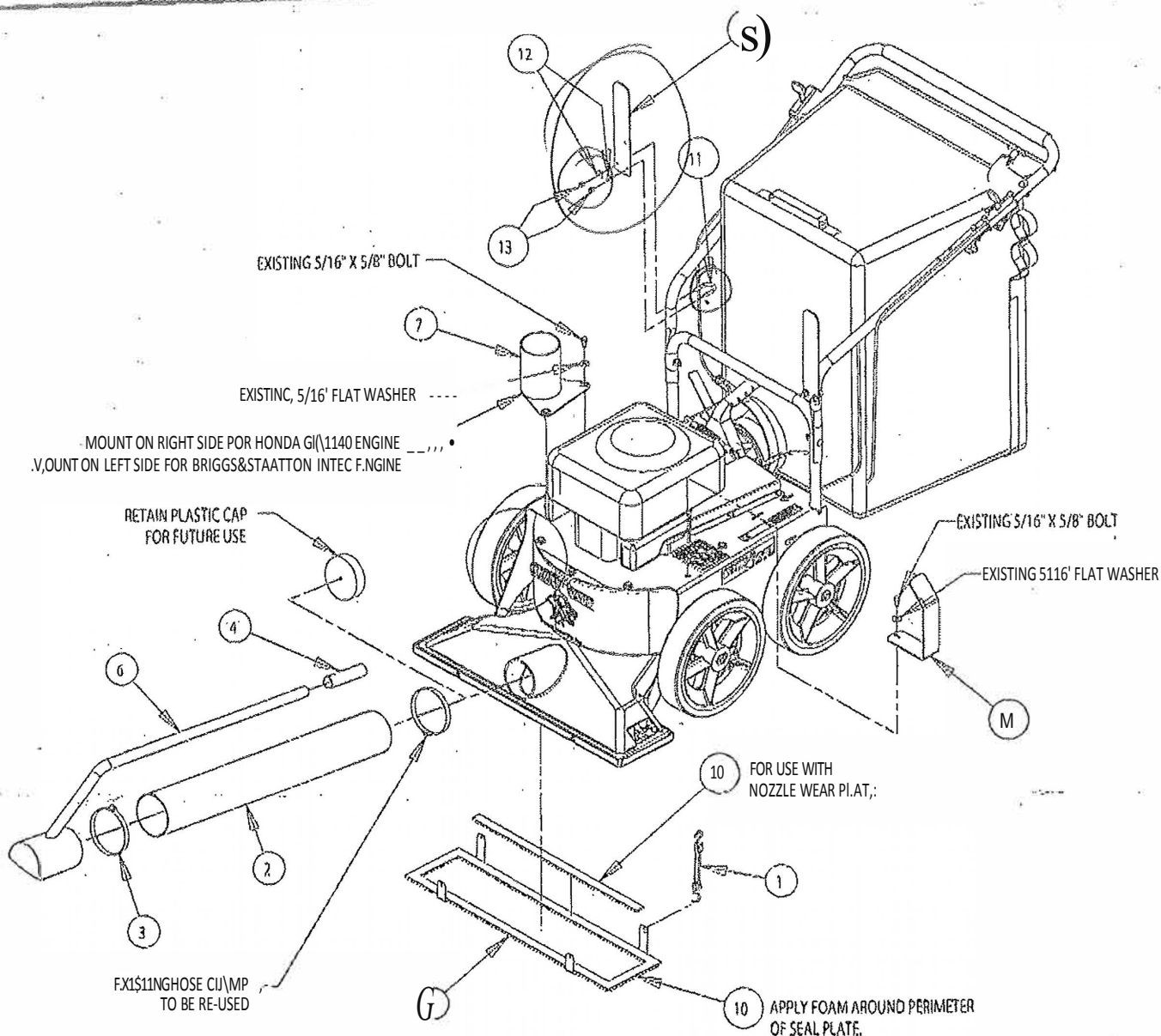
## ASSEMBLY' FOR MODEL 75360

ITEM#	PART#	DESCRIPTION	QTY
1	73714-00	ASSEMBLY, FAN W /INTAKE (INCLUDES 13890-00 & 13896-00)	1
2	73715-00	ASSEMBLY, BEARVAC FRAME (INCLUDES MODEL# DECAL, 12172, 17913, & 16155)	1
3	73629-00	TRANSMISSION, 3 SP. BEARVAC	1
4	73626-12	WELDMENT, BEARVAC ENGINE SUPPORT	1
5	73612-00	WELMENT, BEARVAC ROTOR	1
6	12574	BEARING, 1/2 FLANGE	3
7	73634-12	WELDMENT, SP LONG AXLE	1
8	73619-12	WELDMENT, AXLE PIVOT	1
9	15097	WASHER, 1/2 SAE FLAT	10
10	13869-00	WHEEL, 12 X 2.5 X 5 BORE	4
11	13854-00	PULLEY, 4 O.D.X 12 mm BORE	1
12	15180	SCREW, 1/4 X 5/8 SQ HD SET	2
13	15598	KEY, 4mm SQ X 20 mm	1
14	13855-00	PULLEY, 2.85 O.D.X 7/8" BORE	1
15	13884-00	BELT, SP BEARVAC 13L32A	1
16	15376	SCREW, 5/16 X 3/8 SET	4
17	12415	ENGINE, 6 HP INTEK	1
18	7022	KEY, 3/16 X 1-1/4" SQ	1
19	16692	KEY, 3/16 X 5/32" 4MM WDRFF JUMP	1
20	15250	WASHER, 5/16 FLAT	25
21	15560	BOLT, 5/16 NCX 2-3/4 GR5 HCPS ZP	2
22	15416	WASHER, 5/16 SAE FLAT	7
23	15356	NUT, 5/16 NYLOCK	19
24	15124	BOLT, 5/16 X 3-1/2 HEX	1
25	15665-00	WASHER, 3/8 GR8 USS ZP	1
26	15698-00	BOLT, 3/8 X 2-1/4 NF GR8 ZP HHCS	1
27	13853-00	SPROCKET, 35610	1
28	73621-12	MOUNT, BEARVAC TRANSMISSION	1
29	13850-00	CAP, ROUND VINYL 4X11	1
30	73622-12	HANDLEBAR, LOWERBEARVAC	1
31	13870-12	HANDLEBAR, BEARVAC UPPER	1
32	73642-12	GUARD, BEARVAC BELT	1
33	13871-00	CHAIN, #35 X 62 PITCH W/CONN. LINK	1
34	15350	BOLT, 5/16 X 1-3/4 CRG	4
35	15359	BOLT, 5/16X5/8CRG	4
36	73623-12	BRACKET, BEARVAC HEIGHT ADJ.	1
37	73614-35	BRACKET, BAG HANGER	2
38	73613-12	BRACKET, BEARVAC CABLE MOUNT	1
39	13874-00	CONTROL, THROTTLE	1
40	13875-00	CONTROL, TRANS. SHIFT	1
41	15680-00	SCREW, No.8-32 X 3/16 KNR CUP SKT SET	1
42	13857-00	PAD, FOAM HANDLEBAR	1
43	73615-12	BRACKET, CLUTCH CABLE	1
44	13876-00	CONTROL, CLUTCH ENGAGEMENT	1
45	13877-00	CONTROL, HEIGHT ADJUSTMENT	1
46	13851-00	CLIP, HAIRPIN ZP ICLIP NO. 13	1
47	17257	SPRING, COMPRESS. LC-072J-6	1
48	73719-00	WELDMENT, LH ONE-WAY CLUTCH	1
49	73720-00	WELDMENT, RH ONE-WAY CLUTCH	1
50	71631	SPACER, 10 X .50	2
51	15375	PIN, 1/8 X 1 COTIER	4
52	15238	BOLT, 1/4 X 3/4" CRG	5
53	15030	WASHER, 1/4 FLAT	7
54	15355	NUT, 1/4 NYLOCK	13
55	15348	BOLT, 1/4 X 5/8" CRG	6
56	23668	SPACER, .88 X 1.25	1
57	73645-00	ASSEMBLY, EXHAUST DOOR	1
58	15594	sew #10 X 24 X 1-1/2 PAN PHP ZP	4
59	15132	WASHER, 3/16 FLAT	4
60	15397	NUT, #10 X 24 NYLOCK	4
61	15300	BOLT, 5/16 X 5/8 HEX HD	10
62	15219	BOLT, 5/16 X 1 HEX HD	4
63	15266	PIN, 1/8 X 7/8 SPRING	1
64	15040	WASHER, 5/16 FENDER	2
65	15197	BOLT, 1/4 X 2-1/4 HEX HD	1
66	15093	BOLT, 1/4 X 2 HEX HD	1
67	15403	BOLT, 5/16X 1-3/4HEX	4
68	16155	DECAL, SERIAL NUMBER	1
69	17913	DECAL, SMALL BEARCAT	2
70	12172	DECAL PROTECTION	1
71	13896-00	DECAL, BEARCAT	1
72	0040-0137-00	STRAP, NYLON TIE	1
73	12849	DECAL, 3 SPEED	1
74	13890-00	DECAL, DANGER	3
75	15176	SCREW, 11/32 X 7/8 HWH AB THREAD	4
76	73649-12	BAIL, BEARVAC CLUTCH CONTROL	1
77	13894-00	DECAL, MODEL 75360	1
78	12174	DECAL, SHIELD DANGER	1
79	17007	CAP, PLASTIC 7/8 IN. /FOR SHIPPING PURPOSES ONLY	2
80	16196	CLAMP, 4" HOSE	1
81	16238	DECAL, THROTTLE CONTROL	1



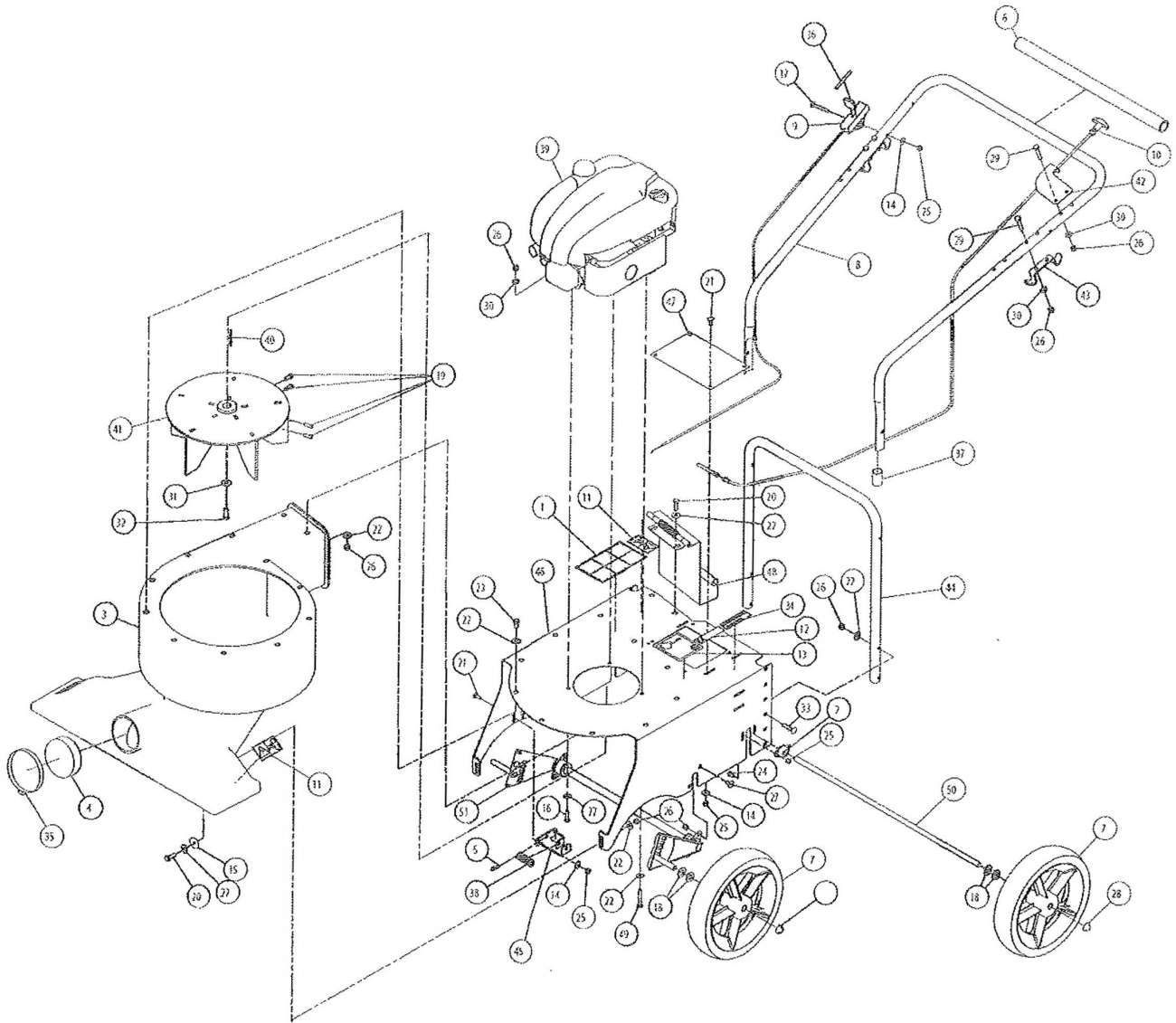
BEAR VAC ASSEMBLY (FOR MODEL 75360)





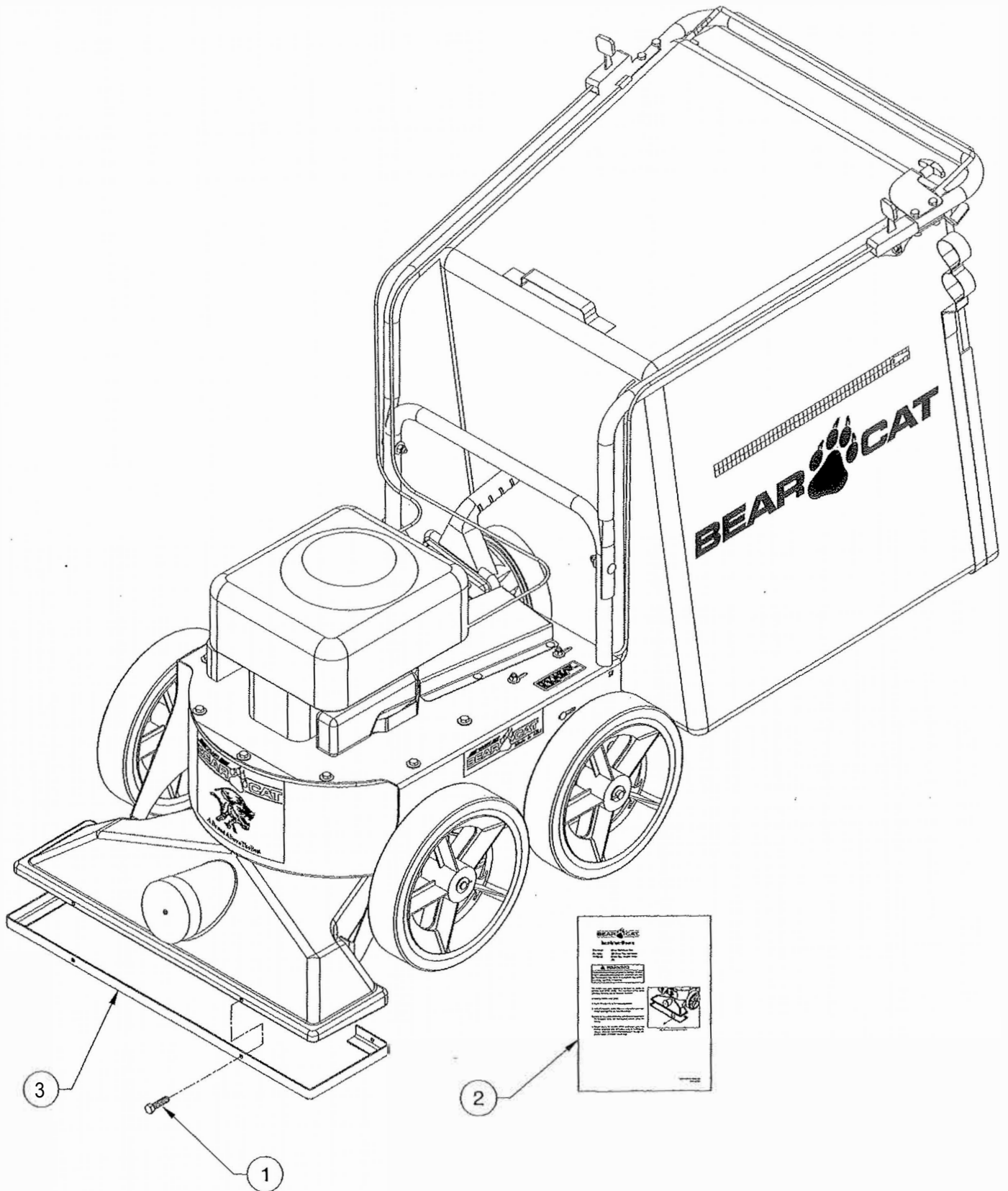
**KIT, BEMVAC VACUUM HOSE (73606.00)**

ITEM	PART NUMBER	DESCRIPTION	QTY
1	1262;	STRAP, 6" TARP	2
2	16194	HOSE, PVC 4" ID C-10' LONG	1
3	16196	CLAMP, 4" HOSE	1
4	<b>16258</b>	GRIP, 1" ID X 4.63"	1
5	73673-12	PLATE, BEAR VAC HOSE KIT SEAL	1
6	73887-12	WELDMENT, 4" HOSE NOZZLE	1
7	7000.11	WELDMENT, HOSE HOLDER/PLUG	1
8	<b>73890-12</b>	STRIP, HOSE HANGER	2
9	73688-00	INSTRUCTION, BEAR VAC VACUUM HOSE KIT	1
10	73698-00	FOAM, PLATE SEAL	1
11	15541	U.SOLT, 1/4" X 1.0' X 1-75" ZP	2
12	15030	WASHER, 1/4" FLAT ZP	4
13	15355	LOCKNUT, 1/4-20 NE NYLON ZP	4
14	74141-12	BRACKET, HOSE HOLDER	1



BEAR VAC ASSEMBLY, 73652,00			
ITEM	PART NUMBER	DESCRIPTION	QTY
1	12172	DECAL, PROTECTION	1
2	<b>12574</b>	BEARING, 12 FLANGE	2
3	13816-00	HOUSING, FAN WI INTAKE	1
4	13850-00	CAP, ROUND VINYL (4 X 1)	1
5	13851,00	CLIP, HAIRPIN ZP (CU NO. 13)	1
6	<b>13857-00</b>	PAD, FOAM HANDLEBAR	1
7	13869-00	WHEEL, 12 X 2.5 X 5 BORE	4
8	13870,12	HANDLEBAR, BEARVAC UPPER	1
9	13874-00	CONTROL, THROTTLE	1

BEAR VAC ASSEMBLY, 73652-00			
	PART NUMBER	DESCRIPTION	QTY
	3877-00	CONTROL, HEIGHT ADJUSTMENT	1
1	13890-00	DECAL, DANGER	3
12	14018-00	DECAL, 6 HP PUSH BEARVAC INFORMATION	1
13	14182-00	DECAL, 98 DB	1
14	15030	WASHER, 1/4 FLAT	7
15	15040	WASHER, 5/16 FENDER	2
16	15282	BOLT, 5/16 X 1-1/2" GR5 HEX CPS ZP	2
17	15093	BOLT, 1/4 X 2 HEX HD	1
18	15097	WASHER, 1/2 SAE FLAT	8
19	15131	SCREW, 5/16-18 X 5/8 SO HD HED	4
20	15219	BOLT, 5/16 X 1 HEX HD	4
21	15238	BOLT, 1/4 X 3/4" CRG	6
22	15250	WASHER, 5/16 FLAT	32
23	15300	BOLT, 5/16 X 5/8 HEX HD	10
24	15348	BOLT, 1/4 X 5/8" CRG	4
25	15355	NUT, 1/4 NYLOCK	11
26	15356	NUT, 5/16 NYLOCK	25
27	15359	BOLT, 5/16 X 5/8 CRG	4
28	15359	BOLT, 5/16 X 5/8 CRG	4
29	15403	BOLT, 5/16 X 1-3/4 HEX	6
30	15416	WASHER, 5/16 SAE FLAT	9
31	15665-00	WASHER, 3/8 GR8 USS ZP	1
32	15697-00	BOLT, 3/8 NC X 1 NF GR8 ZP HHCS	1
33	15750-00	BOLT, 5/16 X 1 1/2 CRG	4
34	16155	DECAL, SERIAL NUMBER	1
35	16196	CLAMP, 4" HOSE	1
36	16238	DECAL, THROHLE CONTROL	1
37	17007	CAP, PLASTIC 7/8 N	2
38	17257	SPRING, COMPRESS. LC-072J-6	1
39	12415	ENGINE, 6 HP B & S INTEK	1
40	7022	KEY, 3/16 X 1-1/4" SO	1
41	73612-00	WELDMENT, BEARVAC ROTOR	1
42	73613-12	BRACKET, BEARVAC CABLE MOUNT	1
43	73614-35	BRACKET, BAG HANGER	2
44	73622-12	HANDLEBAR, LOWER BEARVAC	1
45	73623-12	BRACKET, BEARVAC HEIGHT ADJ	1
46	73641-35	SUPPORT, BEARVAC FRAME	1
47	73643-12	PLATE, BEARVAC PUSH COVER	1
48	73645-00	ASSEMBLY, EXHAUST DOOR	1
49	15154	BOLT, 5/16 X 2-1/2" HEX	1
50	75529-12	SHAFT, LONG AXLE	1
51	75532-12	WELDMENT, AXLE PIVOT	1



## NOZZLE WEAR PLATE KIT

## P/N 73640-00 · NOZZLE WEAR PLATE KIT

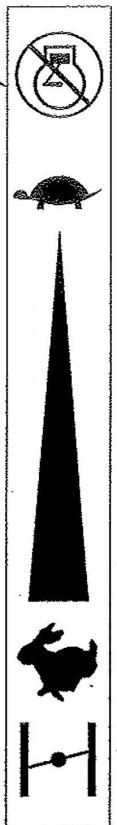
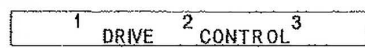
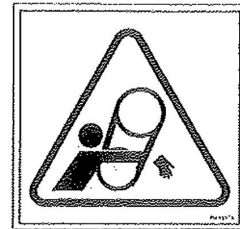
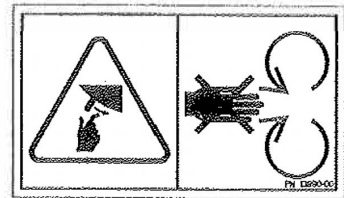
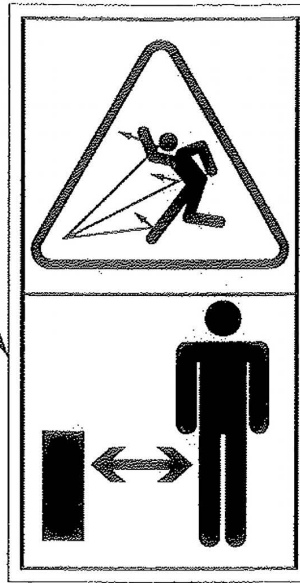
ITEM#	PART#	DESCRIPTION	QTY
1	15695-00	SCREW, 1/4 X 3/4" HWH TAPPING ZP	4
2	73674-00	INSTR., BEARVAC NOZZLE WEAR PL. KIT	1
3	73675-12	GUARD, NOZZLE WEAR <b>111 ;150</b>	1

DECALS

	m
>4	k." f. t .71 STOP
!j 	... £E)

For replacement decals or OIjemlors manual, contact your BearCat  
da11 or crn.y Co. P.O. B,x 849Wes! Fargo, NO USA 50078-0649

V ①  
0-



⑦  
Model 75050

⑨  
Model 75350

Model 75060

Model 75360





## DECALS

**DECALS**

<b>ITEM#</b>	<b>PART#</b>	<b>DESCRIPTION</b>
1	12172	DECAL, PROTECTION
2	12252	DECAL, VAC DEBRIS
3	13890-00	DECAL, DANGER
4	12174	DECAL, SHIELD DANGER (FOR MODELS 75350 AND 75360)
5	12849	DECAL, 3 SPEED (FOR MODELS 75350 AND 75360)
6	16238	DECAL, THROTTLE CONTROL (REMOVE CHOKE SYMBOL FOR BRIGGS ENGINES)
7	13891-00	DECAL, MODEL 75050
8	13892-00	DECAL, MODEL 75060
9	13893-00	DECAL, MODEL 75350
10	13894-00	DECAL, MODEL 75360
11	13896-00	DECAL, BEARCAT
12	17913	DECAL, SMALL BEARCAT

## Limited Warranty

Crary Bear Cat Bear Vacs are warranted for two years from date of sale to the original consumer and 90 days from the date of sale for Commercial or Rental operations. The engine is warranted by the original manufacturer with the terms and limitations listed in the manufacturer's manual.

Within the above stated period, Crary Co. will replace any part(s) found to be defective in material and/or workmanship, after the receipt of the part in our plant. Labor costs to replace these defective parts will be paid at a Crary established labor rate and time allowed (flat rate) for repair. All transportation charges incurred in shipping part(s) are the responsibility of the purchaser.

This warranty is void in the case of accidents, failure to perform normal maintenance, or failure to follow those instructions listed in the service manual. This warranty is also in lieu of all other expressed warranties and voids any implied warranty as to the merchantability or fitness of the product for a particular purpose and of any other obligation on the part of Crary Co. Some states do not allow limitations on how long the implied warranty lasts, so the above limitation may not apply to you.

This warranty applies only to parts or components which are defective, and does not *cover* necessary repair due to normal wear, misuse, accidents, or lack of proper maintenance. Regular routine maintenance of the unit to keep it in proper operating condition is the responsibility of the owner.

All warranty repair reimbursable under the Crary Co. warranty must be performed by an authorized Bear Cat service dealer using Bear Cat approved replacement parts. Repair or attempted repair by anyone other than an authorized Bear Cat service dealer is not reimbursable under the Crary Co. warranty. In addition, these unauthorized repair attempts may result in additional malfunction, the correction of which is not covered by warranty.

Crary Co. is not liable for indirect, incidental, or consequential damages in connection with the use of this product including any cost or expense or providing substitute equipment or service during periods of malfunction or non-use.

Some states do not allow the exclusion of incidental or consequential damages, so the above exclusion may not apply to you. This warranty gives you specific legal rights. You may also have other rights which vary from state to state.

Be sure to note the Bear Vac serial number in any correspondence with Crary Co. or any authorized Bear Cat dealer.

## PARTS ORDERING INFORMATION

### If you need service or parts for your unit:

For service assistance or parts, contact your nearest authorized Bear Cat dealer or the factory.

Your nearest authorized Bear Cat dealer will need to know the serial number of your unit to provide the most efficient service. See below for information on how to identify and record the identification numbers for your unit.

### If you need engine service or parts:

For engine service or parts, contact your nearest authorized engine dealer. Look in the yellow pages of the phone book under "Engines-Gasoline" for the name of your nearest authorized engine dealer. An authorized engine dealer can handle all parts, repairs, and warranty service concerning the engine.

## REPLACEMENT PARTS

Only genuine Bear Cat replacement parts should be used to repair the machine. Bear Cat replacement parts are available from your Bear Cat Dealer. To obtain prompt, efficient service, remember to give the Dealer the correct part description and serial number of the machine.

### When ordering parts for your unit provide the following:

1. The SERIAL NUMBER of your machine.
2. The PART NUMBER of the part.
3. The PART DESCRIPTION.
4. The QUANTITY needed.

### **A WARNING**

We urge using only genuine replacement parts, which meet all the latest requirements. Replacement parts manufactured by others could present safety hazards, even though they may fit on this unit.

Hako Australia Pty Ltd  
contact info:

#### ADDRESS

90 Wetherill St N,  
Silverwater NSW  
2128

#### PHONE

Tel: + 61 2 8756 4700  
Fax: + 61 2 8756 4799  
Toll Free: 1800 257 221

#### EMAIL

hksales@hakoaustralia.com.au

#### HOURS

M-F, 8:00 a.m. to  
5:00 p.m. AEST

## SERIAL NUMBER LOCATION

Always give your authorized Bear Cat dealer the serial number of your Cray Bear Cat Bear Vac when ordering parts, requesting service, or any other information. Please record the serial number in the space provided below and on the warranty and registration card.

Serial Number \_\_\_\_\_

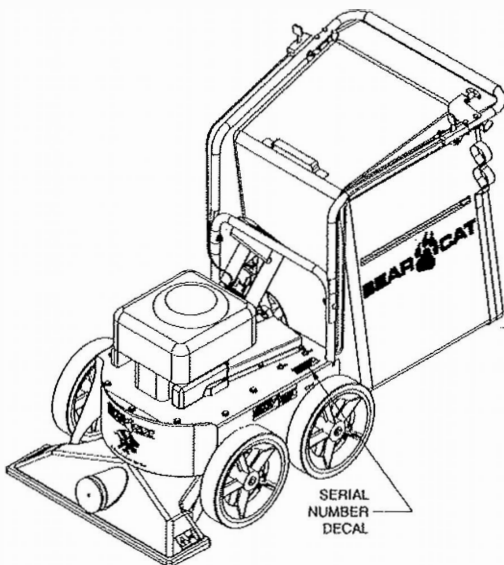


Fig. # 1 Serial number decal location

### **A.WARNING**

To prevent personal injury or property damage: Shut off engine, disconnect spark plug wire, and make sure that all moving parts have come to a complete stop, before obtaining serial number, servicing, adjusting or repairing.

## HEALTH WARNING

### GASOLINE, DIESEL, AND OTHER PETROLEUM PRODUCTS

Harmful or fatal if swallowed.

Long-term exposure to vapors has caused cancer in laboratory animals.

- Avoid prolonged breathing of vapors.
- Keep face away from nozzle and gas tank/container opening.
- Never siphon by mouth.

Failure to use caution may cause serious injury or illness.

## A WARNING

CHEMICALS KNOWN TO THE STATE OF CALIFORNIA TO CAUSE CANCER, BIRTH DEFECTS, OR OTHER REPRODUCTIVE HARM ARE FOUND IN GASOLINE, DIESEL, CRUDE OIL, AND MANY OTHER PETROLEUM PRODUCTS AND THEIR VAPORS, OR RESULT FROM THEIR USE.

READ AND FOLLOW LABEL DIRECTIONS AND USE CARE WHEN HANDLING OR USING ALL PETROLEUM PRODUCTS.

ENGINE EXHAUST FROM THIS PRODUCT CONTAINS CHEMICALS KNOWN TO THE STATE OF CALIFORNIA TO CAUSE CANCER, BIRTH DEFECTS, OR OTHER REPRODUCTIVE HARM.

**CRARY**

**BEARCAT**

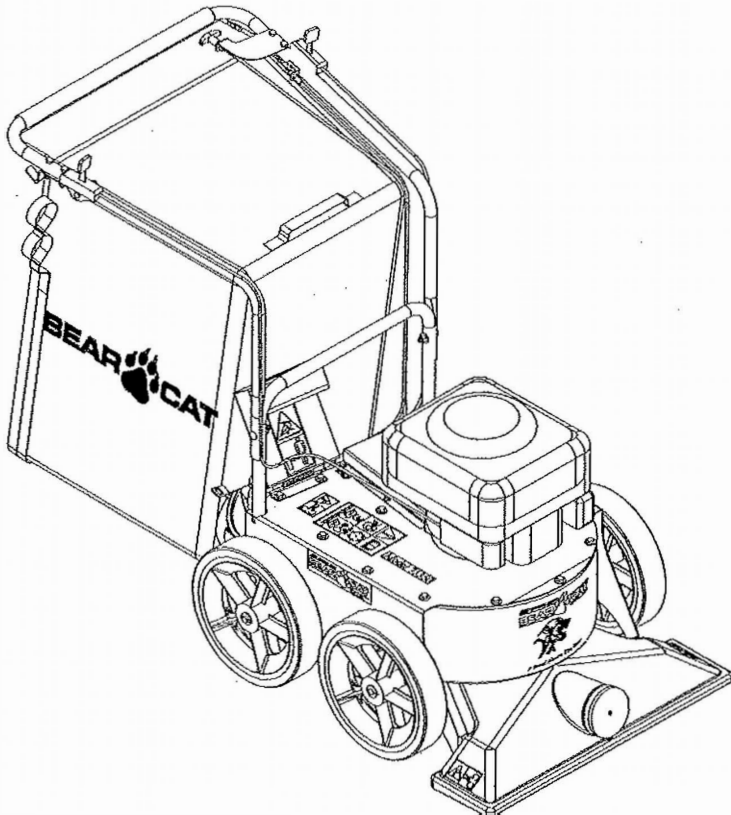
**INDUSTRIES**

**Made in  
the USA**

**Manufactured in the  
United States of America**

## CONTENTS

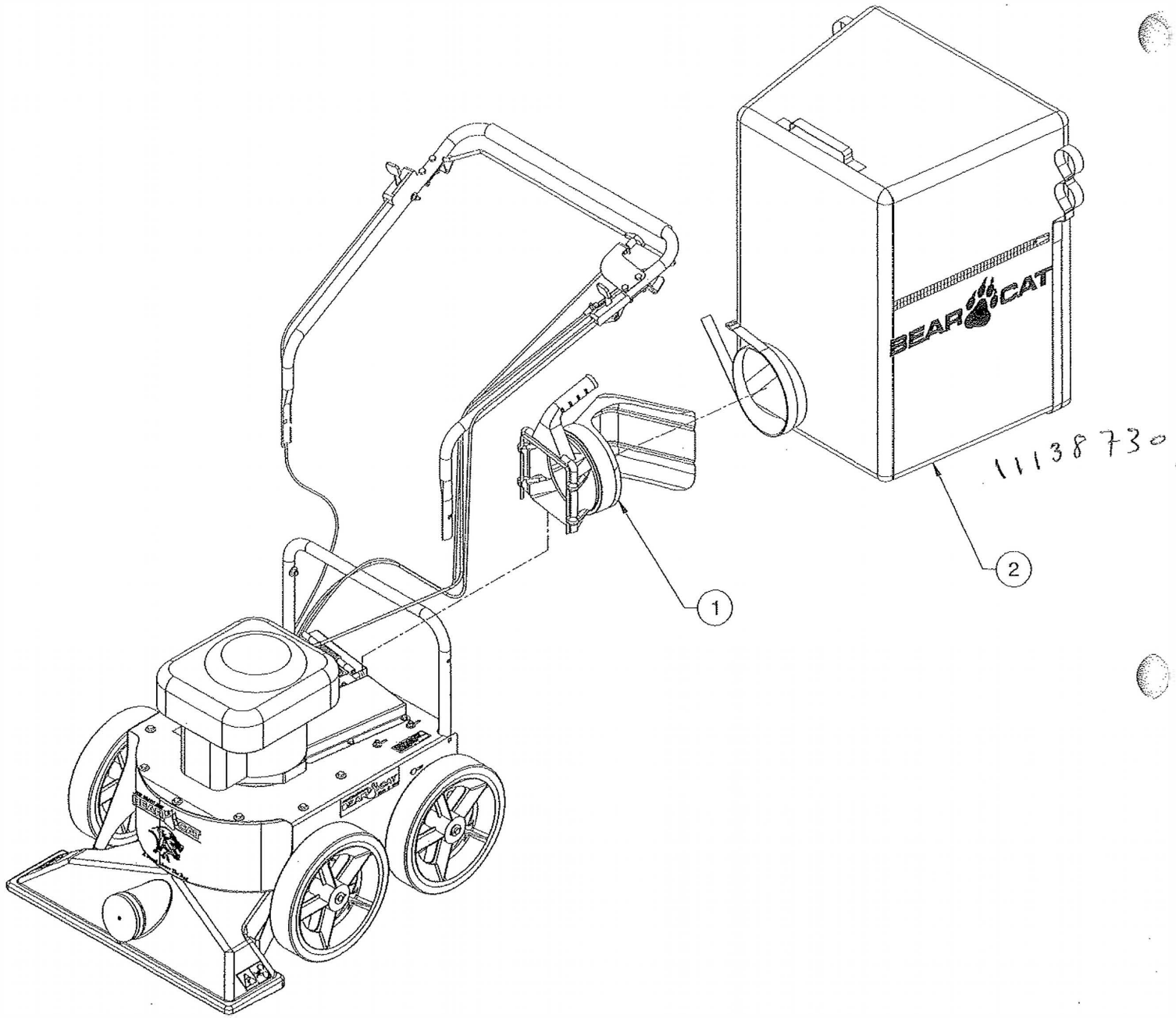
BEAR VAC TOP LEVEL ASSEMBLY .....	3
BEAR VAC ASSEMBLY (FOR MODEL 75050) .....	4
BEAR VAC ASSEMBLY (FOR MODEL 75050) .....	5
BEAR VAC ASSEMBLY (FOR MODEL 75060) .....	6
BEAR VAC ASSEMBLY (FOR MODEL 75060) .....	7
BEAR VAC ASSEMBLY (FOR MODEL 75350) .....	8
BEAR VAC ASSEMBLY (FOR MODEL 75350) .....	9
BEAR VAC ASSEMBLY (FOR MODEL 75360) .....	11
VACUUM HOSE KIT .....	13
CASTOR WHEEL KIT .....	15
NOZZLE WEAR PLATE KIT .....	17
DECALS .....	19



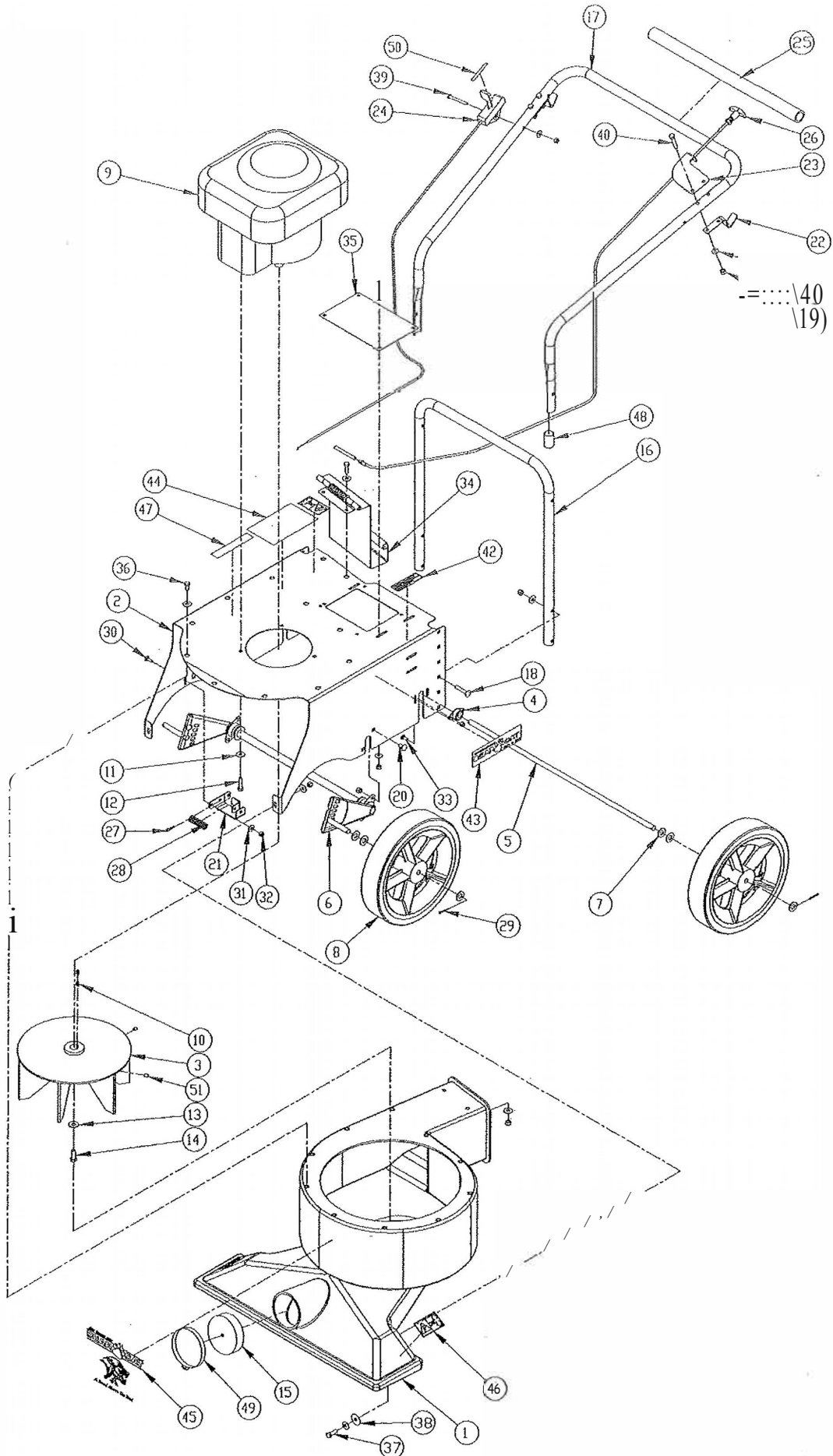
## MODEL

- 75050 - Push Vac with Honda 5 hp OHV Engine**
- 75060 - Push Vac with Briggs & Stratton 6 hp InTec OHV Engine**
- 75350 - 3 Speed Self Propelled Vac with Honda 5 hp OHV Engine**
- 75360 - 3 Speed Self Propelled Vac with Briggs & Stratton 6 hp InTec OHV Engine**

BEAR VA TOP-LEVEL ASSEMBLY



BEAR VAC ASSEMBLY (FOR MODEL 75050)



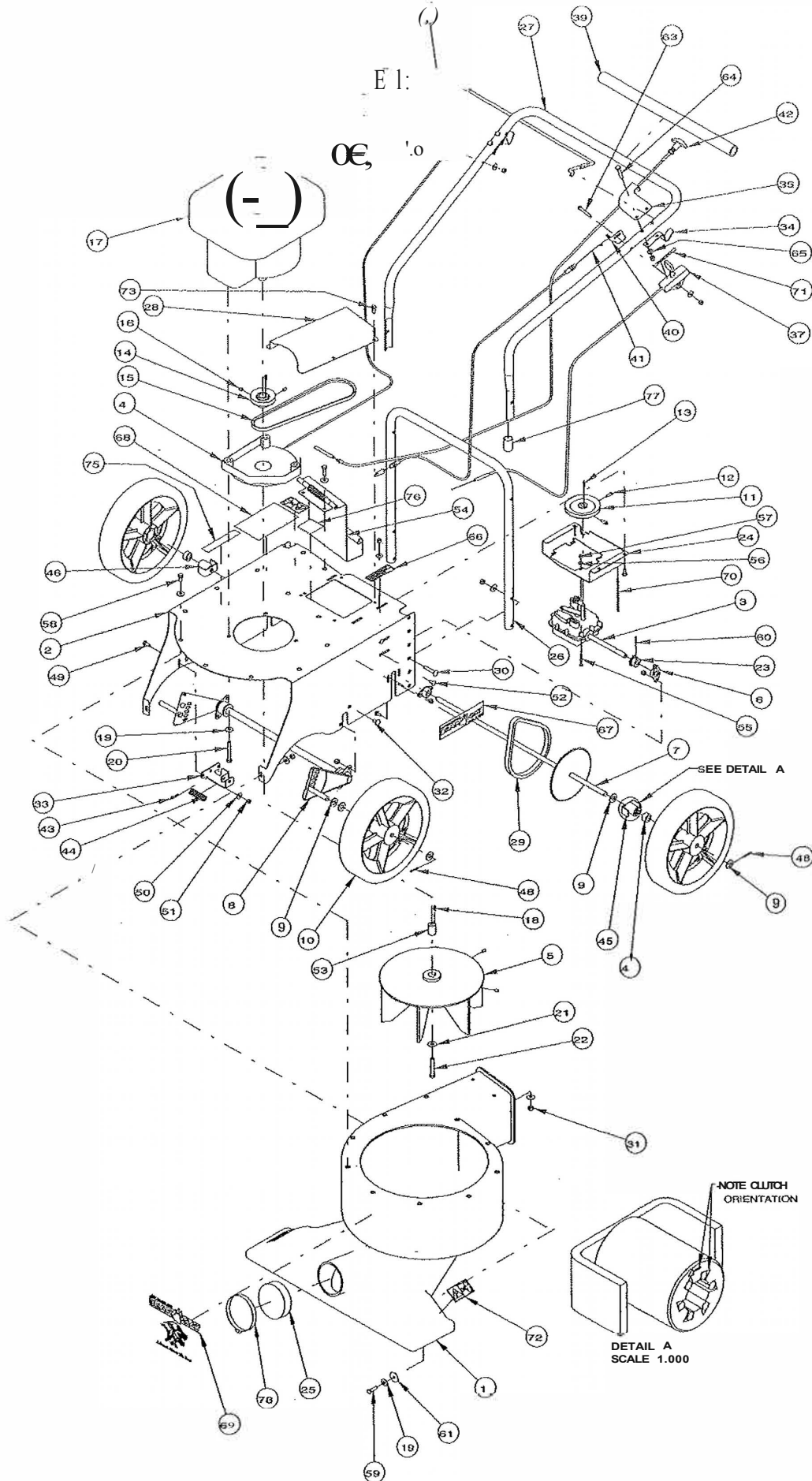


## BEA1 VAC ASSEMBLY (FOR MODEL 75050)

## ASSEMBLY ' FOR MODEL# 75050 BEARVAC

ITEM#	PART#	DESCRIPTION	QTY
1	73714-00	ASSEMBLY, FAN W/ INTAKE (INCLUDES #13890-00 & 13896-00)	1
2	73715-00	ASSEMBLY, BEARVAC FRAME (INCLUDES MODEL# DECAL, & 12172, 17913, & 16155)	1
3	73612-00	WELDMENT, BEARVAC ROTOR	1
4	12574	BEARING, 1/2" FLANGE	2
5	73633-12	SHAFT, LONG AXLE	1
6	73619-12	WELDMENT, AXLE PIVOT	1
7	15097	WASHER, 1/2" SAE FLAT	12
8	13869-00	WHEEL, 12 X 2.5 X .5 BORE	4
9	13878-00	ENGINE, 5 HP HONDA	1
10	16692	KEY, 3/16" X 5/32" 1/4MM WDRFF JUMP	2
11	15250	WASHER, 5/16" FLAT	25
12	15496	BOLT, 5/16" X 1-1/4" NF HEX	3
13	15665-00	WASHER, 3/8" GR8 USS ZP	1
14	15697-00	BOLT, 3/8" X 1" NF GR8 ZP HHCS	1
15	13850-00	CAP, ROUND VINYL (4X1)	1
16	73622-12	HANDLEBAR, LOWER BEARVAC	1
17	13870-12	HANDLEBAR, BEARVAC UPPER	1
18	15350	BOLT, 5/16" X 1-3/4" CRG	4
19	15356	NUT, 5/16" NYLOCK	16
20	15359	SOLT, 5/16" X 5/8" CRG	4
21	73623-12	BRACKET, BEARVAC HEIGHT ADJ.	1
22	73614-35	BRACKET, BAG HANGER	2
23	73613-12	BRACKET, BEARVAC CABLE MOUNT	1
24	13874-00	CONTROL, THROTTLE	1
25	13857-00	PAD, FOAM HANDLEBAR	1
26	13877-00	CONTROL, HEIGHT ADJUSTMENT	1
27	13851-00	CLIP, HAIRPIN ZP (CLIP NO. 13)	1
28	17257	SPRING, COMPRESS. LC-072J-6	1
29	15375	PIN, 1/8" X 1" COTTER	4
30	15238	BOLT, 1/4" X 3/4" CRG	6
31	15030	WASHER, 1/4" FLAT	7
32	15355	NUT, 1/4" NYLOCK	11
33	15348	BOLT, 1/4" X 5/8" CRG	4
34	73645-00	ASSEMBLY, EXHAUST DOOR	1
35	73643-12	PLATE, BEARVAC PUSH COVER	1
36	15300	SOLT, 5/16" X 5/8" HEX HD	10
37	15219	BOLT, 5/16" X 1" HEX HD	4
38	15040	WASHER, 5/16" FENDER	2
39	15197	BOLT, 1/4" X 2-1/4" HEX HD	1
40	15403	BOLT, 5/16" X 1-3/4" HEX	4
41	15416	WASHER, 5/16" SAE FLAT	4
42	16155	DECAL, SERIAL NUMBER	1
43	17913	DECAL, SMALL BEARCAT	2
44	12172	DECAL, PROTECTION	1
45	13896-00	DECAL, BEARCAT	1
46	13890-00	DECAL, DANGER	3
47	13891-00	DECAL, MODEL 75050	1
48	17007	CAP, PLASTIC 7/8" IN. (FOR SHIPPING PURPOSES ONLY)	2
49	16196	CLAMP, 4" HOSE	1
50	16238	DECAL, THROTTLE CONTROL	1
51	15376	SCREW, 5/16" X 3/8" SET	2

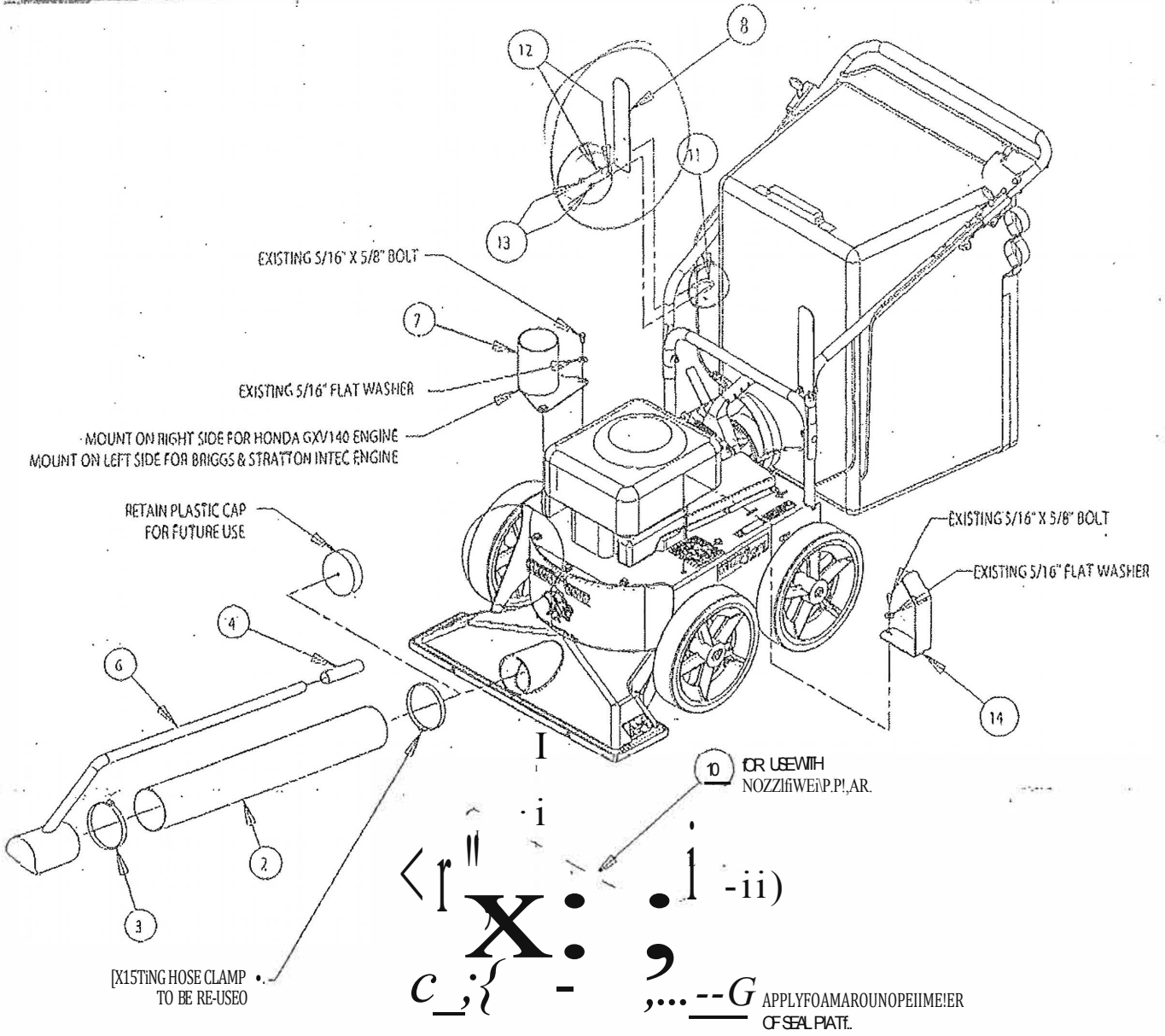
BEAR VAC ASSEMBLY (FOR MODEL 75350)



## BEAR VAC ASSEMBLY (FOR MODEL 75350)

## ASSEMBLY ' FOR MODEL II 75350 BEARVAC

ITEM#	PART#	DESCRIPTION	QTY
1	73714-00	ASSEMBLY, FAN W/INTAKE !INCLUDES/I 13890-00 & 13896-00)	1
2	<b>73715-00</b>	ASSEMBLY, BEARVAC FRAME (INCLUDES MODEL# DECAL, 12172, 17913, & 16115)	1
3	73629-00	TRANSMISSION, 3 SP. BEARVAC	1
4	73626-12	WELDMENT, BEARVAC ENGINE SUPPORT	1
5	73612-00	WELDMENT, BEARVAC ROTOR	1
6	12574	BEARING, 1/2 FLANGE	3
7	73634-12	WELDMENT, SPLONG AXLE	1
8	73619-12	WELDMENT, AXLEPIVOT	1
9	15097	WASHER, 1/2 SAE FLAT	10
10	13869-00	WHEEL, 12 X 2.5 X 5 BORE	4
11	13854-00	PULLEY, 4 O.D.X 12 mm BORE	1
12	15180	SCREW, 1/4 X 5/8 SQ HD SET	2
13	<b>15598</b>	KEY, 4mm SOX 20 mm	1
14	13855-00	PULLEY, 2.85 O.D.X 7/8" BORE	1
15	13884-00	BELT, SP BEARVAC 13L32\	1
16	15376	SCREW, 5/16 X 3/8 SET	4
17	13878-00	ENGINE, 5 HP HONDA	1
18	16692	KEY, 3/16 X 5/32" /4MM WDRFF JUMP	2
19	15250	WASHER, 5/16 FLAT	25
20	15696-00	BOLT, 5/16 NFX 2-112 GR5 HHCS ZP	3
21	15665-00	WASHER, 3/8 GAB USS ZP	1
22	15698-00	SOLT. 3/8 X 2-114NF GR8 ZP HHCS	1
23	13853-00	SPROCKET, 35810	1
24	73621-12	MOUNT, BEARVAC TRANSMISSION	1
25	13850-00	CAP, ROUND VINYL t4X1I	1
26	73622-12	HANDLEBAR, LOWER BEARVAC	1
27	13870-12	HANDLEBAR, BEARVAC UPPER	1
28	73642-12	GUARD, BEARVAC BELT	1
29	13871-00	CHAIN, #35 X 62 PITCH WICONN. LINK	1
30	15350	BOLT, 5/16 X 1-3/4 CRG	4
31	15356	NUT, 5/16 NYLOCK	16
32	15359	BOLT, 5/16 X 5/8 CRG	4
33	73623-12	BRACKET, BEARVAC HEIGHT ADJ.	1
34	73614-35	BRACKET, BAG HANGER	2
35	73613-12	BRACKET, BEARVAC CABLE MOUNT	1
36	13874-00	CONTROL, THROTTLE	1
37	13875-00	CONTROL, TRANS. SHIFT	1
38	15680-00	SCREW, No.8-32 X 3/16 KNR CUP SKT SET	1
39	13857-00	PAD, FOAM HANDLEBAR	1
40	73615-12	BRACKET, CLUTCH CABLE	1
41	13876-00	CONTROL, CLUTCH ENGAGEMENT	1
42	13877-00	CONTROL, HEIGHT ADJUSTMENT	1
43	13851-00	CLIP, HAIRPIN ZP /CLIP NO. 13\	1
44	17257	SPRING, COMPRESS. LC-072J-6	1
45	73719-00	WELDMENT, LH ONE-WAY CLUTCH	1
46	73720-00	WELDMENT, RH ONE-WAY CLUTCH	1
47	71631	SPACER, 1-0 X .50	2
48	15375	PIN, 1/8 X 1 COTTER	4
49	15238	BOLT, 1/4 X 3/4" CRG	5
50	15030	WASHER, 1/4 FLAT	7
51	15355	NUT, 1/4 NYLOCK	13
52	15348	BOLT, 1/4 X 5/8" CRG	6
53	23668	SPACER, .88 X 1.25	1
54	73645-00	ASSEMBLY, EXHAUST DOOR	1
55	15594	SEW #10 X 24 X 1-112 PAN PHP ZP	4
56	15132	WASHER, 3/16 FLAT	4
57	15397	NUT, #10 X 24 NYLOCK	4
58	15300	BOLT, 5/16 X 5/8 HEX HD	10
59	15219	BOLT, 5/16 X 1 HEX HD	4
60	15266	PIN, 1/8 X 7/8 SPRING	1
61	15040	WASHER, 5/16 FENDER	2
62	15197	BOLT, 1/4 X 2-1/4 HEX HD	1
63	15093	SOLT, 1/4 X 2 HEX HD	1
64	15403	BOLT, 5/16X 1-3/4HEX	4
65	15416	WASHER, 5/16 SAE FLAT	4
66	16155	DECAL, SERIAL NUMBER	1
67	<b>17913</b>	DECAL, SMALL BEARCAT	2
68	12172	DECAL, PROTECTION	1
69	13896-00	DECAL, BEARCAT	1
70	0040-0137-00	STRAP, NYLON TIE	1
71	12849	DECAL, 3 SPEED	1
72	13890-00	DECAL, DANGER	3
73	15176	SCREW, 11/32 X 7/8 HWH AB THREAD	4
74	73649-12	BAIL, BEARVAC CLUTCH CONTROL	1
75	13893-00	DECAL, MODEL 75350	1
76	12174	DECAL, SHIELD DANGER	1
77	17007	CAP, PLASTIC 7/8 IN.	2
78	16196	CLAMP, 4" HOSE	1
79	16238	DECAL, THROTTLE CONTROL	1



KIT, BEARVAC VACUUM HOSE (73606-00)			
ITEM	PART NUMBER	DESCRIPTION	QTY
1	12627	STRAP, 6" TARP	2
2	16194	HOSE, PVC 4" 10 C-10' LONG	1
3	16196	CLAMP, 4" HOS	1
4	16258	GRIP, 1" 10 X 4.63"	1
5	73673-12	PLATE, BEAR VAC HOSE KIT SEAL	1
6	73887-12	WELDMENT, 4" HOSE NOZZLE	1
7	73890-12	WELDMENT, HOSE HOLDER/PLUG	1
8	73890-12	STRIP, HOSE HANGER	2
9	73688-00	INSTRUCTION, 8BEAR VAC VACUUM HOSE KIT	1
10	73698-00	FOAM, PLATE SEAL	1
11	15541	U-901T, 114" X 1.0" X 1.75" ZP	2
12	15030	WASHER, 1/4" FLAT ZP	4
13	15355	LOCKNUT, 1/4-20 NE NYLON ZP	1
14	74141-12	BRACKET, HOSE HOLDER	1